

CHALLENGER

316 STAINLESS STEEL 3 PIECE DIRECT MOUNT BALL VALVE

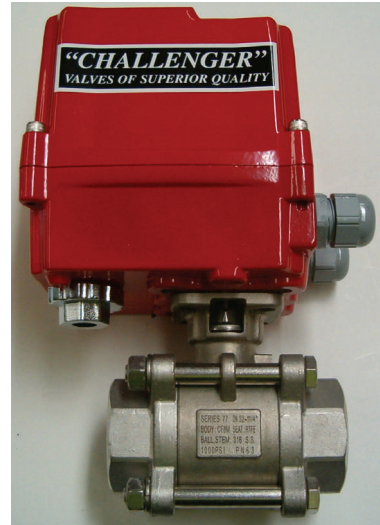
MODEL SS3PA HQ

SPECIFICATIONS

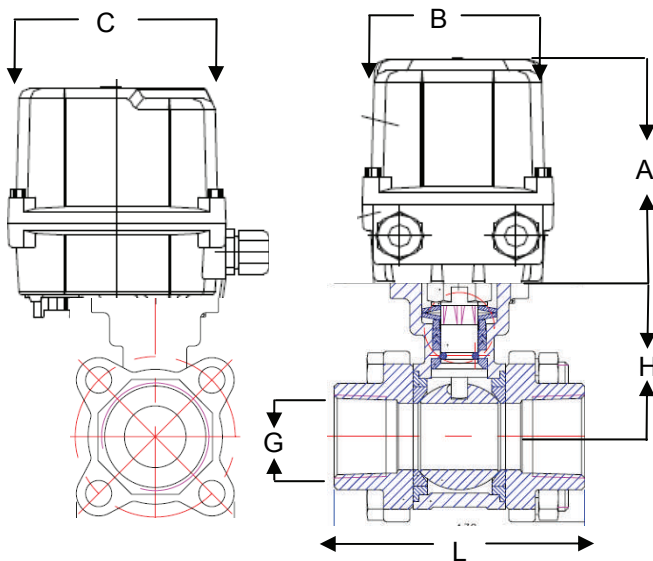
- Construction: 3-piece body, Full Bore
- Size: 1/4"-2" (8 mm-50mm)
- End Connection: BSP Threaded
- Body: CF8M
- Ball & Stem: 316 SS
- Seats: PTFE
- Pressure Rating: 1/4" - 2" 1000psi/PN64
- Actuator Available Voltages 240 V AC & 24 V AC/DC

DESIGN ADVANTAGES

- *PATENTED ISO5211 DIRECT MOUNT PAD
Allows direct mounting of actuators, no Brackets and couplings required, easy and low cost for automation service.
- *EXTRA HIGH CYCLE LIFE
Maintenance free live loaded double sealing high cycle stem packing system provides longer service life.
- *BLOW OUT PROOF STEM
- *3 PIECE SWING OUT DESIGN
- *ANTI STATIC DEVICE (Standard between stem and body STEM & Ball)



HQ006 ELECTRIC ACTUATOR COMBO



LIST OF MATERIALS OF BALL VALVE:

ITEM	COMPONENT	MATERIAL (ASTM)
1	BODY	CF8M
2	CAP	CF8M
3	BALL	SS316
4	STEM	SS316
5	STEM NUT	SS304
6	STEM WASHER	SS304
7	SEAT	PTFE
8	GLAND	PTFE
9	STEM PACKING	PTFE
10	THRUST WASHER	SS304
11	JOINT GASKET	PTFE

DIMENSIONS

SIZE MM	G	B	L	H	A	C	ISO 5211	Torque Nm
8	1/4"	105	50	42	132	126	F03/F04	7
10	3/8"	105	50	42	132	126	F03/F04	7
15	1/2"	105	56	42	132	126	F03/F04	7
20	3/4"	105	60	48	132	126	F03/F04	8
25	1"	105	71	57	132	126	F04/F05	14
32	1 1/4"	105	78	61	132	126	F04/F05	20
40	1 1/2"	105	96	78	132	126	F05/F07	29
50	2"	105	101	85	132	126	F05/F07	39

Actuator Models

SIZE MM		240 V AC	24 V AC/DC
8	1/4"	HQ006-1	HQ006-2
10	3/8"	HQ006-1	HQ006-2
15	1/2"	HQ006-1	HQ006-2
20	3/4"	HQ006-1	HQ006-2
25	1"	HQ006-1	HQ006-2
32	1 1/4"	HQ006-1	HQ006-2
40	1 1/2"	HQ006-1	HQ006-2
50	2"	HQ006-1	HQ006-2