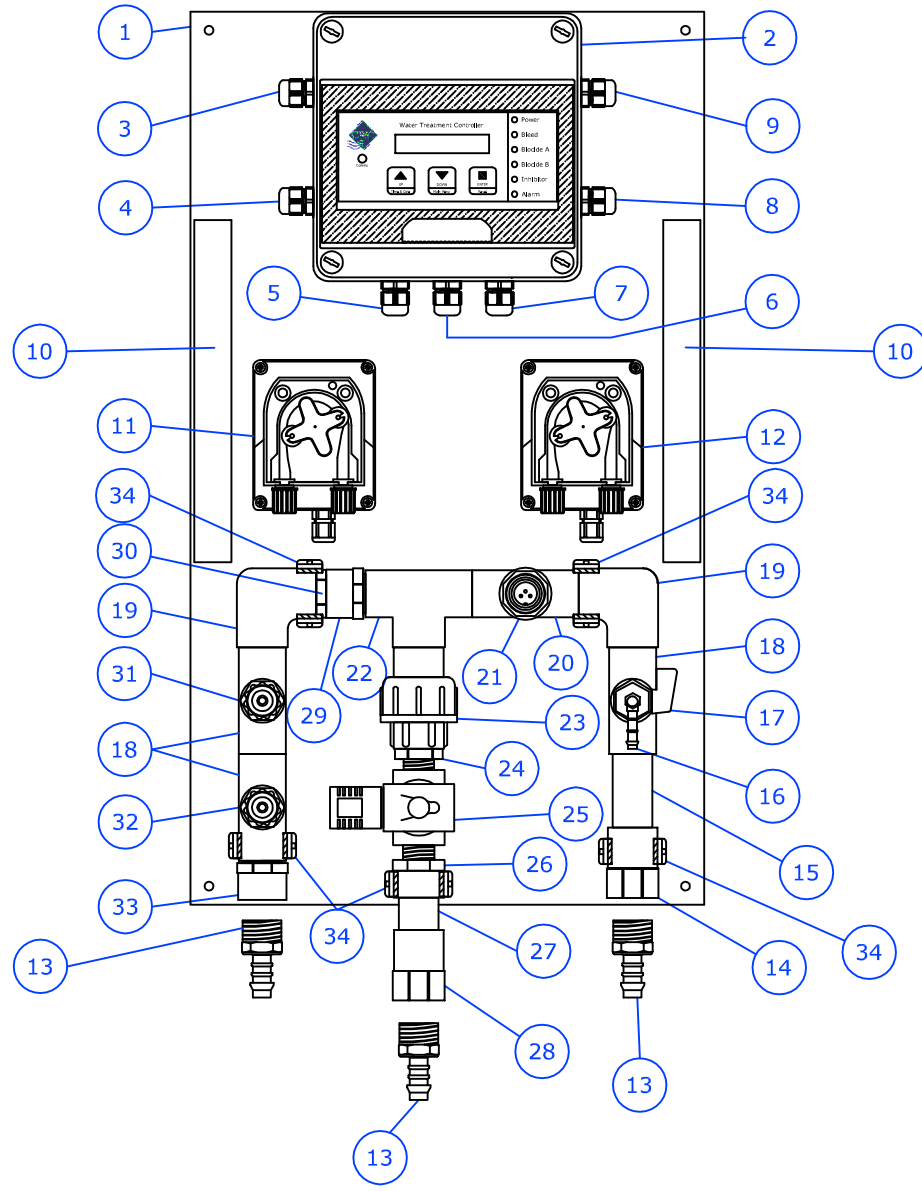


A B C D E F G H I J K L

1
2
3
4
5
6
7



DRAWING REFERENCE	LIBRARY REFERENCE	DESCRIPTION
1		PVC Board 600 x 345mm - 10mm Thick
2	K16	DIGICHEM-XP2 - Conductivity Controller
3	K10	Cable Gland - Spare
4	K10	Cable Gland - Solenoid
5	K10	Cable Gland - Inhibitor Pump C
6	K10	Cable Gland - 240VAC Mains Power
7	K10	Cable Gland - Conductivity Probe
8	K10	Cable Gland - Biocide Pump A
9	K10	Cable Gland - Spare
10	K12	Cable Track 230mm
11	K49	Peristaltic Pump 1.3 l/hr - Inhibitor
12	K49	Peristaltic Pump 1.3 l/hr - Biocide A
13	M67	Hosetail 12mm x 3/4"
14	M112	Manifold Inlet - Socket Female 20mm x 3/4"
15	M104	Clear 20mm Pipe cut to 96mm
16	M72	Hosetail Elbow 6mm x 1/2"
17	M74	Sample Point - Ball Valve 1/2"
18	M129	Tee 20mm x 1/2"
19	M52	Elbow 20mm
20	M130	Tee 20mm x 3/4"
21	M87	Conductivity Probe 3/4"
22	M128	Tee 20mm
23	M12	Barrell Union 20mm
24	M5	Adaptor Male 20mm x 1/2"
25	M119	Bleed Solenoid - SMC 1/2"
26	M115	Socket Male 20mm x 1/2"
27	M92	Clear 20mm Pipe cut to 67mm
28	M112	Bleed Outlet - Socket Female 20mm x 3/4"
29	M2	Adaptor Female 20mm x 3/4"
30	M37 / M6	Check Valve inserted inside Adaptor Male 20mm x 3/4"
31	M129	Injection Valve for Inhibitor
32	M129	Injection Valve for Biocide A
33	M129	Manifold Outlet - Adaptor Female 20mm x 3/4"
34	M82	Pipe Clip 1"

1
2
3
4
5
6
7



THIS DRAWING IS COPYRIGHT AND THE PROPERTY OF CONVERGENT WATER CONTROLS PTY LTD ABN 58 082 819 734. IT IS SUBJECT TO THEIR RECALL AND MAY NOT BE REPRODUCED OR ITS CONTENTS DIVULGED WITHOUT WRITTEN AUTHORITY.

Ver	Date	Notes	By	Check
1.0	22/01/08	ORIGINAL	LF	LN

Filename	WFILENAME
----------	-----------

Drawn By	LF	Date	22/01/08
Checked By	LN	Date	22/01/08
Scale	N/A		

Title		Assembly Diagram	
Project / Part Number		DIGICHEM-A2-V	
Client		CONVERGENT WATER CONTROLS	
Drawing No		DRAWING NO	
Ver		1.0	

A B C D E F G H I J K L

8

8

DIMENSIONS ARE IN MM
DO NOT SCALE