

CHALLENGER

TRUE UNION PVC BALL VALVE ACTUATOR READY 15 MM - 50 MM

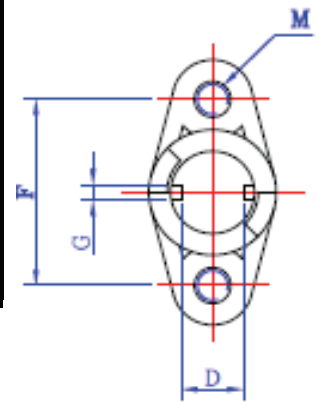
MODEL PVC7 SXS PVC8 TXT

Features

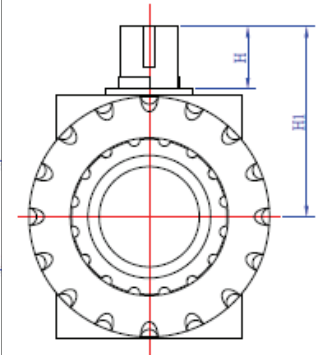
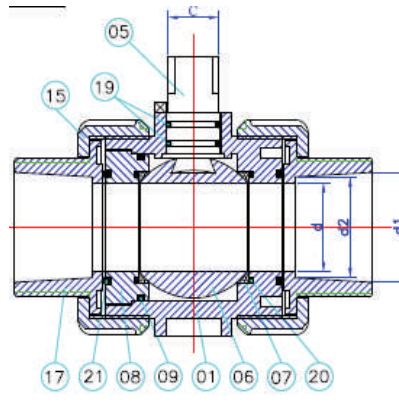
- Size Range 15 mm—50 mm
- End Connections
Threaded BSP (PVC7)
Socket Weld (PVC8)
- Working Pressure 150 PSI
- Suitable for Pneumatic & Electric Actuator



Size	C	D	F	G	H	H1	M	d	d1	d2	TORQUE Nm
15 mm	12.0	7.5	31.0	2.9	15.0	40.5	M6	15	21.54	21.23	3
20 mm	12.7	8.3	33.0	2.8	15.5	48.5	M6	20	26.87	26.57	3
25 mm	14.6	10.2	40.0	3.2	18.5	60.0	M6	25	33.66	33.27	5
32 mm	18.0	10.1	52.0	4.0	23.0	71.0	M6	32	42.42	42.04	8
40 mm	23.6	15.4	52.0	7.2	24.5	77.0	M8	40	48.56	48.11	10
50 mm	23.8	15.4	70	7.3	31.0	93.5	M8	50	60.63	60.17	15



NO	PARTS	PCS	MATERIALS
01	BODY	1	PVC,PP,CPVC
05	STEM	1	PVC,PP,CPVC
06	BALL	1	PVC,PP,CPVC
07	SEAT	2	TEFLON
08	THREADED SPACER	1	PVC,PP,CPVC
15	UNION NUT	2	PVC,PP,CPVC
17	UNION END	2	PVC,PP,CPVC
19	STEM O-RING	2	EPDM
09	SPACER SEAL	1	EPDM
20	SEAT SEAL	2	EPDM
21	END SEAL	2	EPDM



Options

- **Electric Actuators**
240 V AC
24V AC/DC
- **Pneumatic Actuators**
Single Acting
Double Acting
- **Limit Switch**
- **Solenoid Valve**

